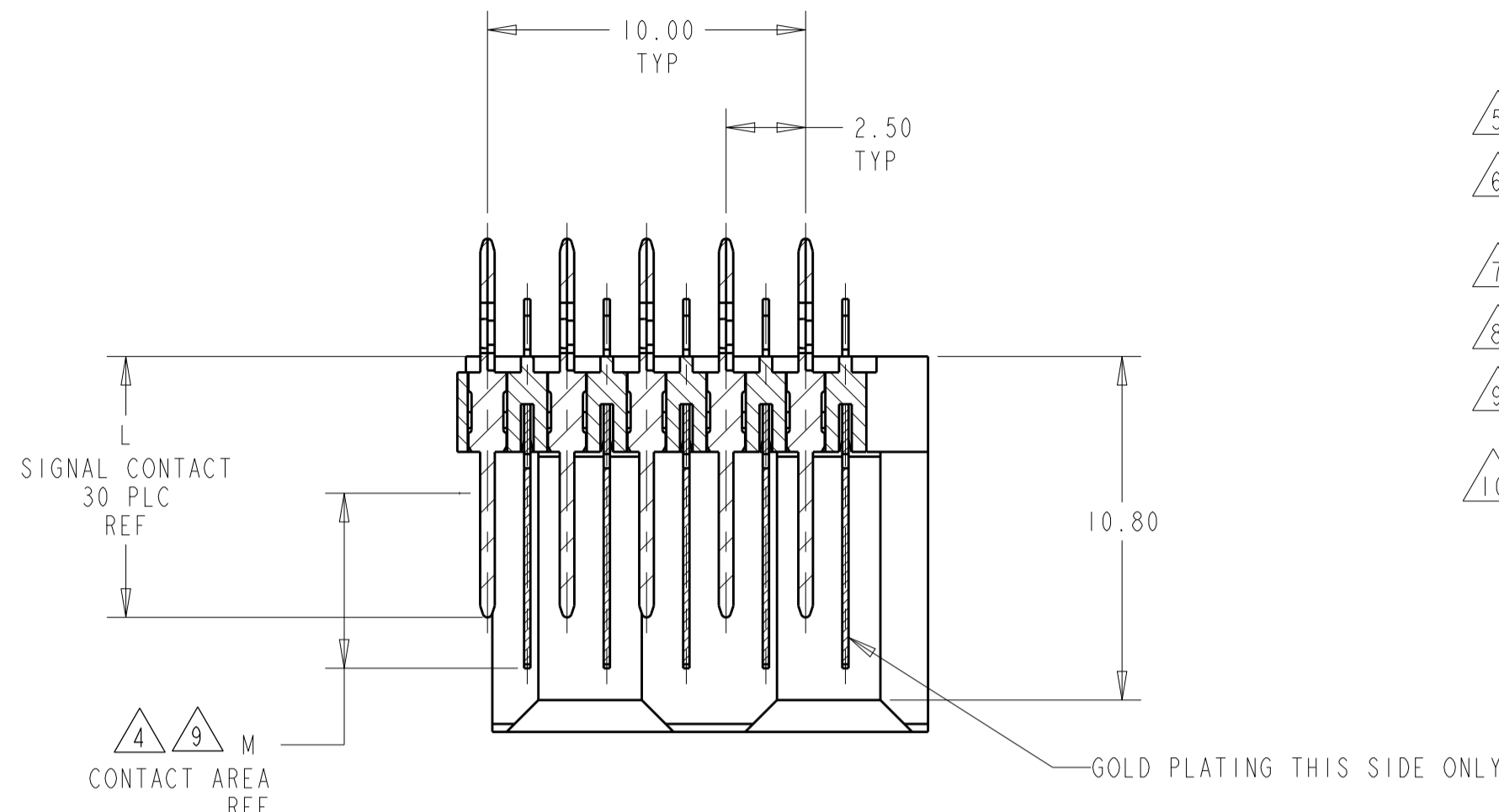
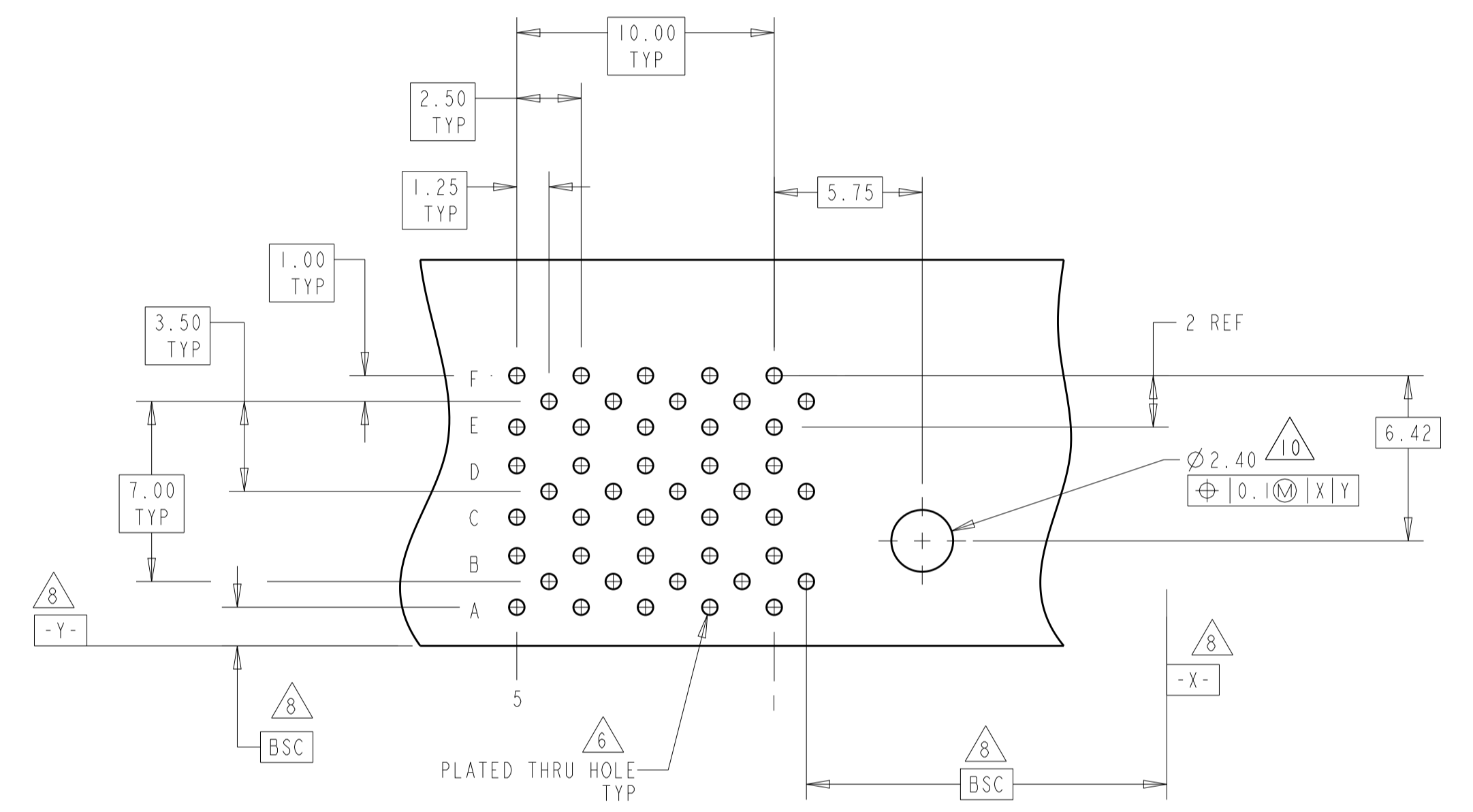
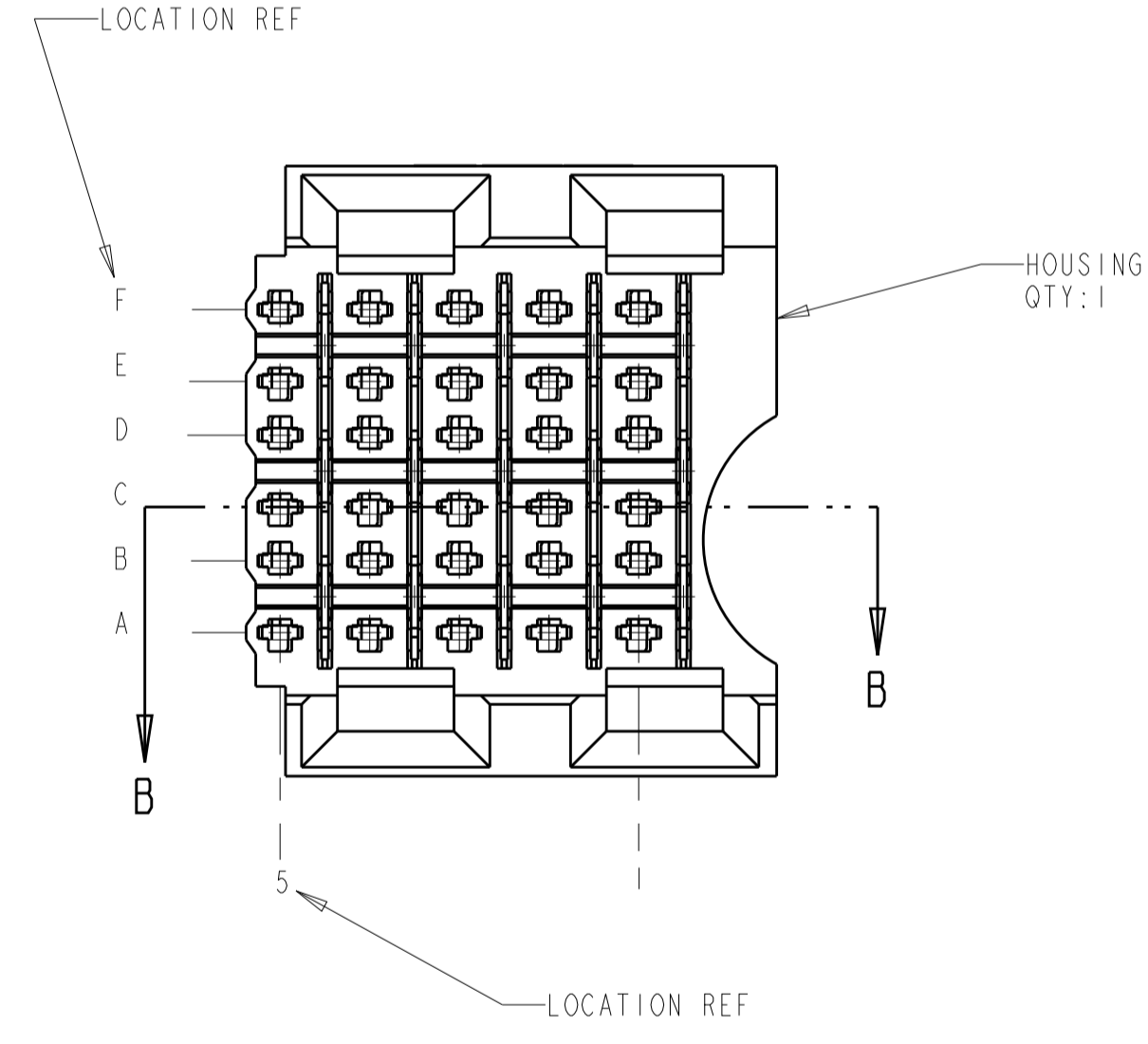
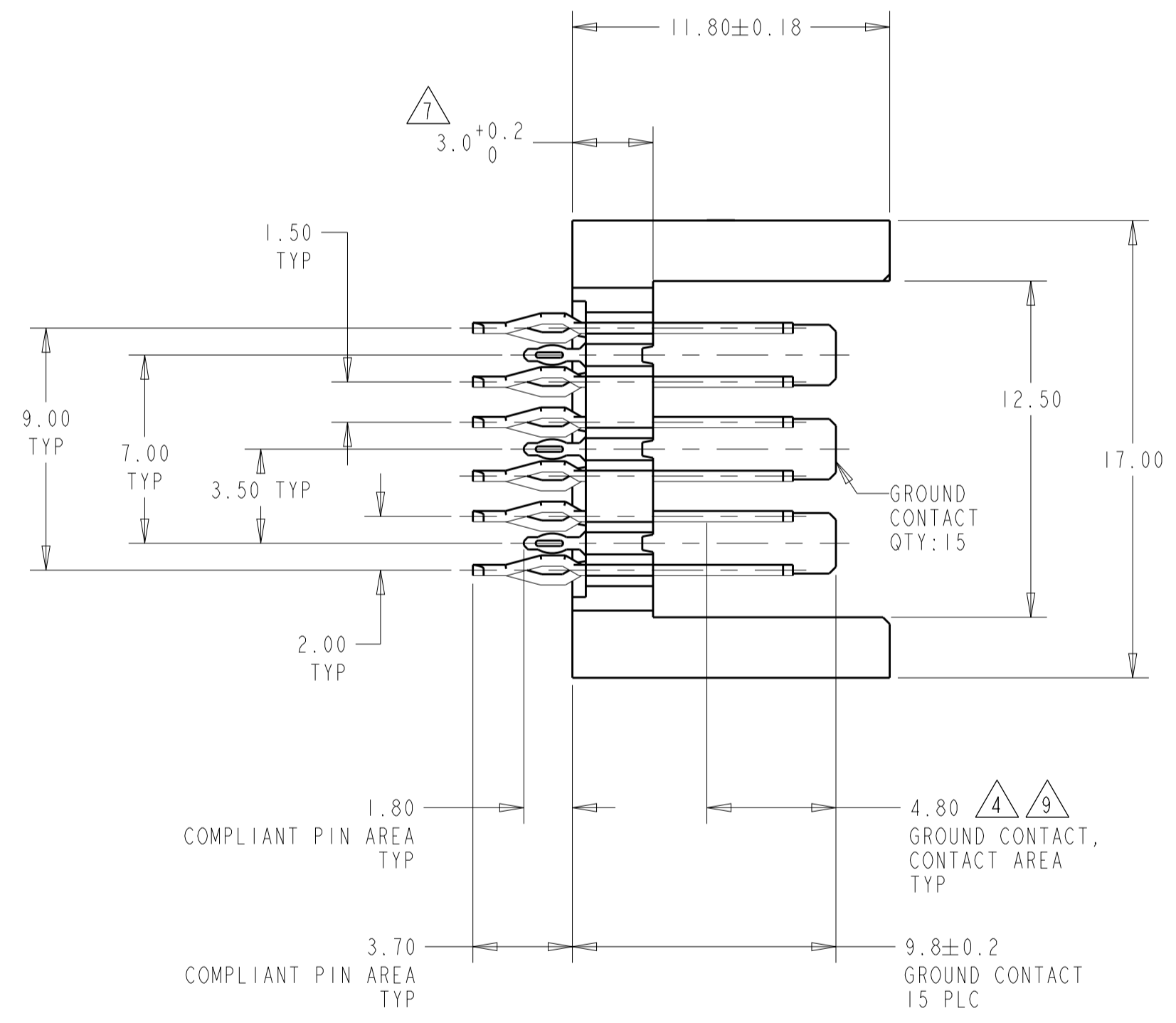


LOC	DIST	REV	DATE	BY	APPV
AD	00	B	23AUG2012	KH	JE

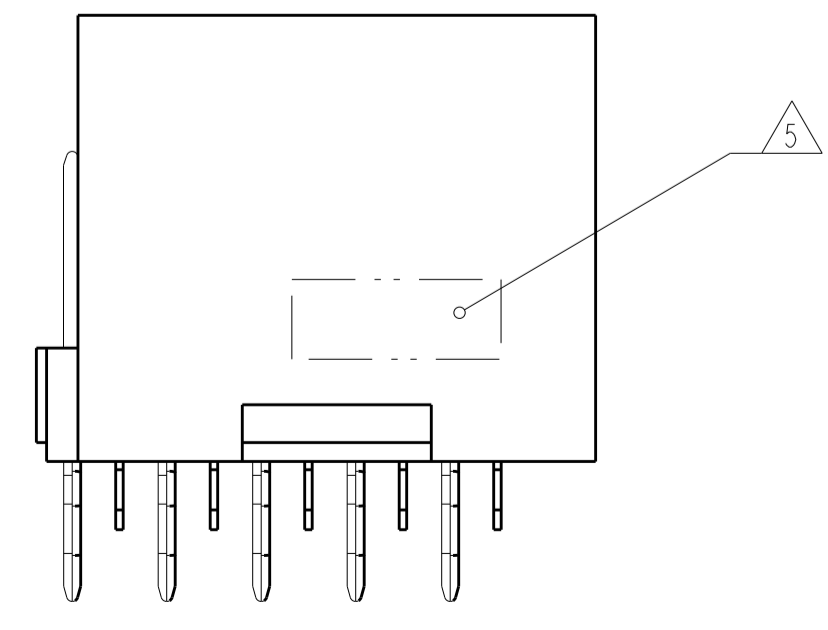
- 2 PHOSPHOR BRONZE
- 3 GLASS FILLED POLYESTER
- 4 FINISH:
CONTACT MATING AREA MEETS THE PERFORMANCE REQUIREMENTS OF
TE CONNECTIVITY PRODUCT SPECIFICATION 108-1957; BASED ON
TELCORDIA GR-1217-CORE, APPLICATIONS IN UNCONTROLLED ENVIRONMENTS.
COMPLIANT PIN AREA: 0.5µm MIN MATTE TIN OVER BASE PLATING.
- 5 CONNECTOR MARKED WITH PART NUMBER AND DATE CODE
- 6 REFERENCE APPLICATION SPEC 114-13020 FOR RECOMMENDED
PLATED THRU HOLE DIAMETER AND PLATING THICKNESS.
- 7 APPLICATION SEATING HEIGHT TO PRINTED CIRCUIT BOARD
- 8 DATUMS AND BASIC DIMENSIONS ESTABLISHED BY CUSTOMER
- 9 CONTACT AREA LUBRICATED WITH BELLCORE APPROVED LUBRICANT
TECHNICAL REFERENCE: GR-1217-CORE, ISSUE 1, NOVEMBER 1995
- 10 HOLE DIAMETER SHOULD BE 3.10 WHEN USING FEED THROUGH GUIDE PIN P/N 120759
CLEARANCE FOR A M3x0.5 THREAD



SECTION B-B



RECOMMENDED
PRINTED CIRCUIT BOARD
LAYOUT
COMPONENT SIDE OF PRINTED CIRCUIT BOARD



5.50	9.7	5120678-2
5.50	8.2	5120678-1
M	L	PART NUMBER

THIS DRAWING IS A CONTROLLED DOCUMENT.		OWN: B. CARBO 07DEC04	TE Connectivity	
DIMENSIONS: mm		CHK: R. PATTERSON 07DEC04	NAME: HEADER ASSEMBLY, 30 POSITION, LEFT HAND, 6 ROW, Z-PACK HSS	
TOLERANCES UNLESS OTHERWISE SPECIFIED:		APPV: R. PATTERSON 07DEC04	SIZE: A1	
0 PLC ±		PRODUCT SPEC	CAGE CODE: 00779	
1 PLC ±0.13		APPLICATION SPEC	DRAWING NO: 5120678	
2 PLC ±0.05		WEIGHT	SCALE: 5:1	
3 PLC ±		RESTRICTED TO	SHEET 1 OF 1	
4 PLC ±		REV	REV B	
ANGLES ±		CUSTOMER DRAWING		
FINISH				
HOUSING: 3				
CONTACTS: 2				
SIGNAL CONTACT: 4				